

## Wall-faced, vitreous china universal trap toilet suite



SfB Code

(74.1)



The Seido Wall Faced toilet suite crafted from high density vitreous china. It has a superior and modern product design. The close coupled styling combines soft geometric forms on the pan and the cistern to appear as a single unit, eliminating the need for a conventional flush pipe. This creates a toilet suite which is distinctively appealing and easy to clean. A secure cistern fixing system is standard which eliminates the need for wall fixing. The cistern incorporates a proven, reliable dual-flush mechanism, which will ensure optimum flushing performance, together with a 4 star water efficiency rating. The Fowler quiet, fast-filling inlet valve fitted as standard. Due to the substantial water saving achieved by the 4.5/3 litre dual-flush system the matched suite can be used in septic applications, where authorised.

### Installation guidelines

Pan: Floor-mounted: For direct fixing to concrete, bedding mix is recommended, using a sand and cement mixture of 3:1 to a depth of 60mm. For other surfaces, the pan should be bonded to the floor with acetic-cured silicone sealant and fixed with D80 fixing brackets.



Outlet connection: PVC, copper or cast iron, or Uniconnector supplied.  
Cistern: Mounted onto the pan with bolts and nut and foam cistern seal without the need for wall fixing.



### Wall-faced, vitreous china universal trap toilet suite

#### Features

- ◆ superior and modern design to match the Seido range.
- ◆ Uniconnector allows S or P installation.
- ◆ adjustable S trap set-out dimension.
- ◆ concealed back inlet cistern connection.
- ◆ concealed pan outlet.
- ◆ 4 star WELS water efficiency rating.

#### Cistern mounting

Close-coupled.

#### Flushing capacity

4.5/3 litre Smartflush.

#### Cisterns inlet

Back inlet only.

#### Inlet valve

Fitted with quiet, fast-filling inlet valve.

#### Outlet valve

Fitted with dual-flush outlet valve.

#### Trap outlet

Concealed universal trap. Uniconnector allows for S or P-trap installations.

#### Seat

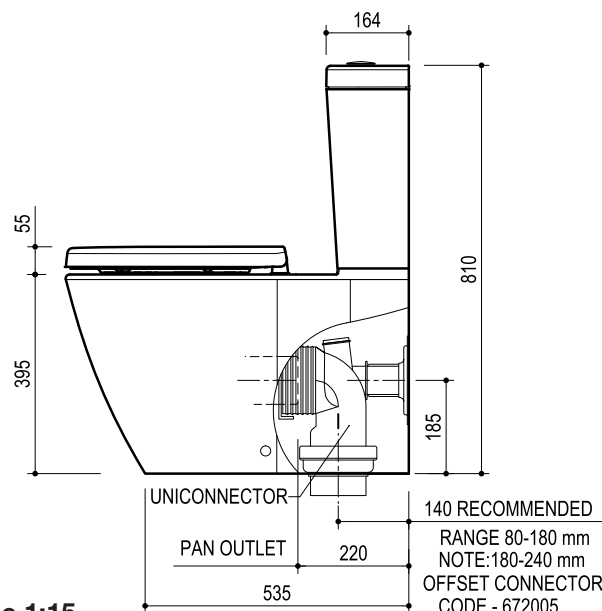
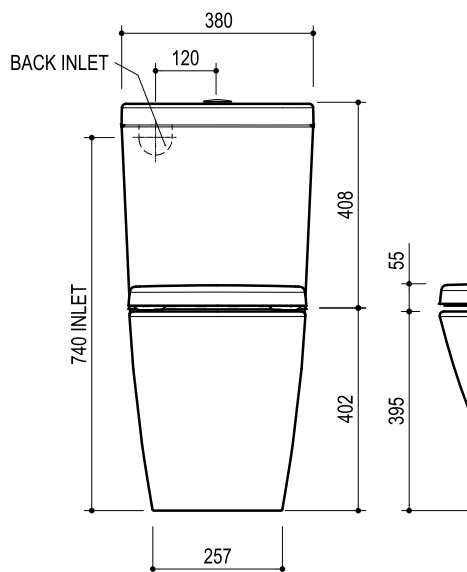
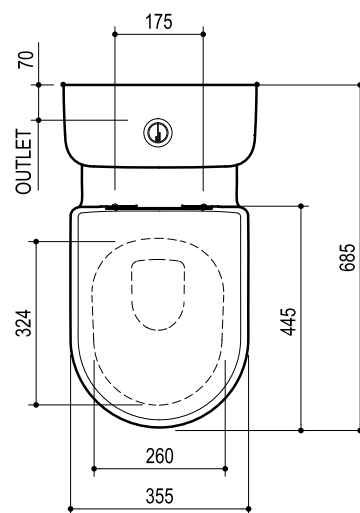
Supplied with Seido soft-close seat.

#### Colours available

White.

#### Product codes

Back inlet Universal trap (810455).



Drawing Scale 1:15

Dimensions are in mm and subject to normal manufacturing tolerances. The manufacturer reserves the right to alter specifications without notice.